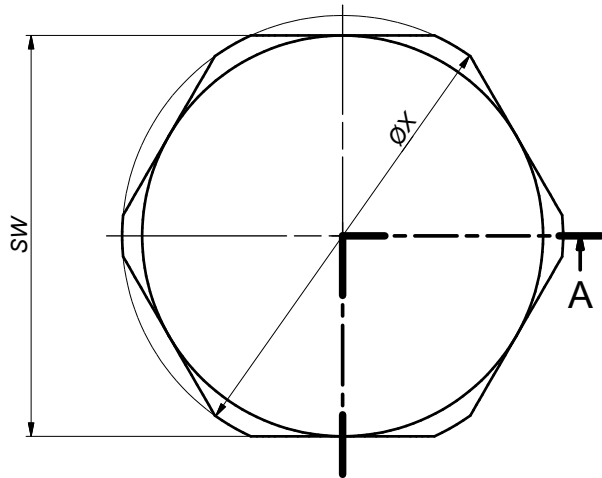


STOK KODU	TD METRİK ISO 965-3 (6g)	Diş Üstü Çapı max. - min.	Diş Dibi Çapı max. - min.	H	TL	t1	SW	X	h1	D	R1	C	T	R2	O-RING
B-TS02M	M12x1.5	11,968-11,732	10,128-9,880	21,0	15,5	1,5	17,0	18,8	18,0	7,00	0,75	13,0	1,00	0,50	Ø9,5x1,5
B-TS01M	M16x1.5	15,968-15,732	14,128-13,880	21,0	15,5	1,5	22,0	24,0	18,0	10,0	0,75	17,0	1,0	0,5	Ø12x1,5
B-TS1M	M20x1.5	19,968-19,732	18,128-17,880	21,0	15,5	1,5	25,0	27,5	18,0	14,0	0,75	21,0	1,0	0,5	Ø16x1,5
B-TS2M	M25x1.5	24,968-24,732	23,128-22,870	21,0	15,5	1,7	30,0	33,0	18,0	19,0	1,0	27,0	1,3	0,7	Ø22x2,0
B-TS3M	M32x1.5	31,968-31,732	30,128-29,870	21,0	15,5	1,7	37,0	41,0	18,0	26,0	1,0	34,0	1,3	0,7	Ø26x2,0
B-TS4M	M40x1.5	39,968-39,732	38,128-37,870	23,0	17,5	1,7	45,0	50,0	19,0	34,0	1,0	42,0	1,3	0,7	Ø35x2,0
B-TS5M	M50x1.5	49,968-49,732	48,128-47,860	23,0	17,5	1,7	55,0	61,0	19,0	44,0	1,0	52,0	1,3	0,7	Ø45x2,0
B-TS60M	M60x1.5	59,968-59,732	58,317-57,910	23,0	17,5	2,0	70,0	77,0	19,0	53,0	1,3	63,3	1,7	1,0	Ø54x2,6
B-TS6M	M63x1.5	62,968-62,732	61,128-60,860	23,0	17,5	2,5	70,0	77,0	19,0	57,0	1,3	66,2	1,7	1,0	Ø54x2,6
B-TS70M	M70x1.5	69,968-69,732	68,317-67,910	25,0	20,0	2,0	80,0	89,0	21,0	62,0	1,3	73,3	1,7	1,0	Ø65x2,5
B-TS7M	M75x1.5	74,968-74,732	73,128-72,860	25,0	20,0	2,5	85,0	94,0	21,0	69,0	1,3	78,2	1,7	1,0	Ø68x2,6
B-TS80M	M80x1.5	79,968-79,732	78,317-77,910	25,0	20,0	2,5	90,0	100,0	21,0	73,0	1,3	83,3	1,7	0,7	Ø75x2,5
B-TS85M	M85x1.5	84,968-84,732	83,317-82,910	25,0	20,0	2,5	95,0	105,0	21,0	78,0	1,5	89,1	2,0	0,7	Ø80x3,0
B-TS8M	M90x1.5	89,962-89,732	88,128-87,860	25,0	20,0	2,5	100,0	111,0	21,0	84,0	1,5	94,0	2,0	1,0	Ø83x3,0
B-TS9M	M100x1.5	99,968-99,732	98,317-97,910	25,0	20,0	2,5	110,0	123,0	21,0	93,0	1,5	104,1	2,0	0,7	Ø95x3,0
B-TS10M	M110x1.5	109,962-109,732	108,128-107,860	25,0	20,0	2,5	120,0	133,5	21,0	104,0	1,5	114,0	2,0	1,0	Ø105x3,0

\* METRİK DİŞ ÖLÇÜLERİ ISO 965-3 / METRIC THREAD SIZES ACC.TO ISO 965-3

\* ANAHTAR AĞZI ÖLÇÜLERİ DIN 475 / HEXAGONAL SIZES ACC.TO DIN 475



Revision History / Revizyon Tarihiçesi					
No Nu.	Date Tarih	Request No Talep Nu.	Revision Revizyon	Realised By Gerçekleştiren	Approved By Onaylayan
4	31.07.2023	4770	M12 size has been added. M12 ebadı eklendi. Aluminum material has been added. Alüminyum malzeme eklendi. Technical drawling has been updated. Teknik resim güncellendi.	A.YILMAZ	F.BURAK TAN

Drawing Number / Resim No	3769	Reference Number / Ref. No	A3-IEC.52	Date / Tarih	26.03.2012
1st Discl.Request #/Y.Yn.Tal.No	-	Designed by / Tasarlayan	Nursel ORAL	26.03.2012	
Bimed Code / Bimed Kodu	B-TS	Approved by / Onaylayan	Yılmaz ALBUKREK	26.03.2012	Undefined Tolerances acc.to/ Belirtilmeyen Toleranslar (DIN 7168-f)
DIMENSIONAL CHART FOR METRIC Ex-eb Ex-db IIC BLIND STOPS METRİK Ex-eb II Ex-db IIC KÖR TAPA ÖLÇÜ TABLOSU				Material / Malzeme	
				Nominal size ranges Anma ölçü aralıkları	
				Value Değer	
Volume/Hacim				MS 58 - (316-316L)-(6082)	
Mass / Ağırlık				Brass(Nickel Plated)- Steel(Galvanized Plated) - Stainless - Aluminum	
				Pirinç(Nikel Kaplımsız) - Çelik(Galvaniz Kaplı) - Paslanmaz - Alüminyum	
				30<...<=30 ±0,10	
				30<...<=120 ±0,15	
				120<...<=400 ±0,20	