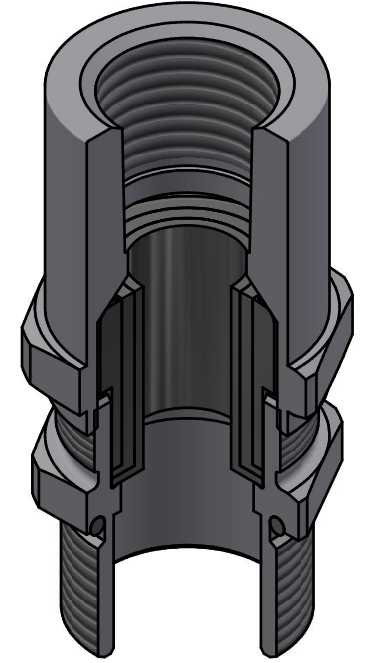


Revision History / Revizyon Tarihiçesi					
No Nu.	Date Tarih	Request No Talep Nu.	Revision Revizyon	Realised By Gerçekleştiren	Approved By Onaylayan
0	06.09.2019	2455	First issue İlk yayın	M.KOCAOĞLU	N.ORAL



TOTAL CABLE CLAMPING RANGE = Ø10.0-Ø16.0 mm

Triple Seal : Ø10.0 - Ø12.0 mm

Double Seal : Ø12.0 - Ø14.5 mm

Single Seal : Ø14.5 - Ø16.0 mm

No/Nu.	Qty/Ad.	Part Name/Parça Adı	Material/Malzeme
6	1	Ø22x2.0mm O-RING	CR, VMQ (Silicone)
5	1	NPT 1/2"-M26x1.0 Ex-d FEMALE ADAPTER (CARINA)	Brass (Nickel Plated), Stainless Steel
4	1	M25 Ex-db/eb OCTANS OUTER SEALING Ø18	CR, VMQ (Silicone)
3	1	M25 Ex-db/eb OCTANS INNER SEALING Ø14.5	CR, VMQ (Silicone)
2	1	M25 Ex-db/eb OCTANS INNER SEALING Ø12	CR, VMQ (Silicone)
1	1	M25x1.5 Ex-db/eb OCTANS BODY (M26x1.0) TL16	Brass (Nickel Plated), Stainless Steel

Part List / Parça Listesi

Drawing Number / Resim No	11439	Reference Number / Ref. No	-	Date / Tarih	06.09.2019
1st Discl.Request #/Y.Yn.Tal.No	2455	Designed by / Tasarlayan	Mustafa KOCAOĞLU	06.09.2019	
Bimed Code / Bimed Kodu	EBM23M12N	Approved by / Onaylayan	Nursel ORAL	06.09.2019	
M25x1.5/NPT 1/2" Ex-db/eb FEMALE ADAPTER GLAND (CARINA)(10-16)		Material / Malzeme		Undefined Tolerances acc./to/ Belirtilmeyen Toleranslar (DIN 7168-f)	
M25x1.5/NPT 1/2" Ex-db/eb DIŞI ADAPTÖR RAKOR (CARINA)(10-16)		-		Nominal size ranges Anma ölçü aralıkları Value Değer	
				0.5<...≤3 ±0,05	
				3<...≤6 ±0,05	
				6<...≤30 ±0,10	
				30<...≤120 ±0,15	
				120<...≤400 ±0,20	
bimed		Volume/Hacim	Mass / Ağırlık	-	
		22473 mm ³	-		