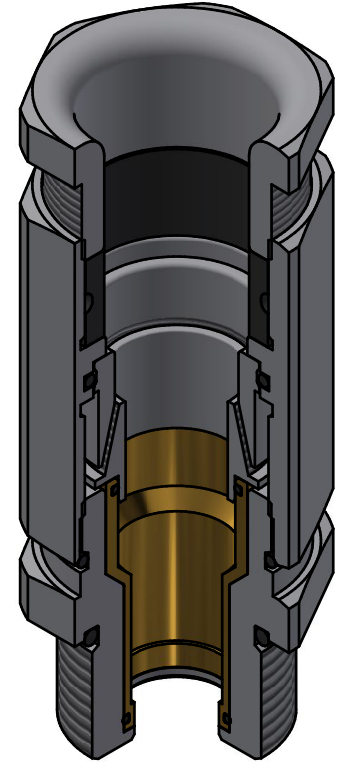


Revision History / Revizyon Tarihiçesi					
No Nu.	Date Tarih	Request No Talep Nu.	Revision Revizyon	Realised By Gerçekleştiren	Approved By Onaylayan
3	20.12.2017	713	Tasarım güncellendi	N.ORAL	O.ELÇİ



CABLE CLAMPING RANGE Ø13.5 - Ø21.0mm

No/Nu.	Qty/Ad.	Part Name/Parça Adı	Material/Malzeme
6	1	O-RING 17x1.0	Rubber, Silicone
5	1	M20x1.5 CENTAURUS BARRIER TUBE (13.5-21)	Brass, Soft Yellow
12	1	M20x1.5 Ex-d TAURUS CAP (10-15.5)	Brass (nickel plated), Stainless Steel
11	1	M20x1.5 Ex-d TAURUS UPPER SEAL (10-15.5)	VMQ
10	1	M20x1.5 Ex-db/eb CENTAURUS UPPER BODY (13.5-21)	Brass (nickel plated), Stainless Steel
9	1	O-RING Ø24x1.57	VMQ
8	1	M20x1.5 Ex-d TAURUS SWIVEL BRAID RING (10-15.5)	Brass (nickel plated), Stainless Steel
7	1	M20x1.5 Ex-db/eb CENTAURUS GROUNDING CONE (13.5-21)	Brass (nickel plated), Stainless Steel
4	1	O-RING 12x1.0	VMQ
3	1	Ø22x1.5 O-RING	VMQ
2	1	O-RING Ø22x2.0	VMQ
1	1	M25x1.5 Ex-db/eb CENTAURUS LOWER BODY (13.5-21)	Brass (nickel plated), Stainless Steel

Drawing Number / Resim No	7934	Reference Number / Ref. No	-	Date / Tarih	16.09.2014
1st Discl.Request #/Y.Yn.Tal.No	-	Designed by / Tasarlayan	Nursele ORAL	Approved by / Onaylayan	Yılmaz ALBUKREK
Bimed Code / Bimed Kodu	KBCTA2M	Material / Malzeme		Undefined Tolerances acc./to/ Belirtilmeyen Toleranslar (DIN 7168-f)	
M25x1.5 Ex-db/eb CENTAURUS GLAND (13.5-21)			-		
M25x1.5 Ex-db/eb CENTAURUS RAKOR (13.5-21)			-		
bimed		Volume/Hacim	Mass / Ağırlık	-	
		32197 mm ³	-	-	
		Nominal size ranges Anma ölçü aralıkları		Value Deger	
		0.5<...≤3		±0,05	
		3<...≤6		±0,05	
		6<...≤30		±0,10	
		30<...≤120		±0,15	
		120<...≤400		±0,20	