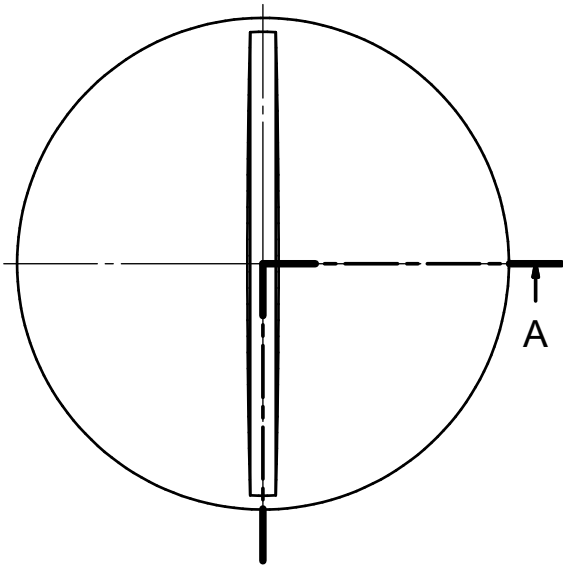


Revision History / Revizyon Tarihçesi					
No Nu.	Date Tarih	Request No Talep Nu.	Revision Revizyon	Realised By Gerçekleştiren	Approved By Onaylayan
2	22.10.2021	3966	ITSR-02M (TL10) stock code has been added. ITSR-02M (TL10) stok kodu eklendi.	M.KOCAOĞLU	N.ORAL AVCI

CODE	TD	H	TL	X	O-RING
ITSR-0SM	M12x1.5	8,5	6,0	15,0	Ø9,5x1,5
ITSR-01M	M16x1.5	10,0	7,0	19,0	Ø12x1,5
ITSR-02M	M20x1.5	11,0	8,0	23,0	Ø16x1,5
ITSR-02M (TL10)	M20x1.5	13,0	10,0	23,0	Ø16x1,5
ITSR-03M	M25x1.5	12,0	8,0	29,0	Ø22x2,0
ITSR-04M	M32x1.5	13,0	9,0	36,0	Ø26x2,0
ITSR-05M	M40x1.5	13,0	9,0	44,0	Ø35x2,0
ITSR-06M	M50x1.5	14,0	9,0	54,0	Ø45x2,0
ITSR-07M	M63x1.5	16,0	10,0	69,0	Ø54x2,6

CODE	TD	H	TL	X	O-RING
ITSR-01P	PG 7	9,0	6,0	16,0	Ø9,5x1,5
ITSR-02P	PG 9	9,0	6,0	19,0	Ø12x1,5
ITSR-03P	PG 11	9,0	6,0	22,0	Ø15x1,5
ITSR-04P	PG 13,5	9,5	6,5	24,0	Ø16x1,5
ITSR-05P	PG 16	9,5	6,5	26,0	Ø18x1,5
ITSR-06P	PG 21	11,0	7,0	33,0	Ø23x2,0
ITSR-07P	PG 29	12,0	8,0	42,0	Ø31x2,0
ITSR-08P	PG 36	15,0	9,0	52,0	Ø40x2,0
ITSR-09P	PG 42	16,0	10,0	59,0	Ø45x2,0
ITSR-10P	PG 48	16,0	10,0	66,0	Ø54x2,6



Temperature range
With Nitrile O-ring -30°C to +100°C
With Silicone O-ring -60°C to +140°C

Protection Class IP 68

Order Encoding					
Code	Size	Male Thread	Material	O-ring	Code Example
ITSR	01	M	BN	N	ITSR-01MBNN (TL7)

2	1	O-RING Ø16x1.5	NBR
1	1	BLIND STOPS	Brass (nickel plated) or Stainless Steel
No/Nu.	Qty/Ad.	Part Name/Parça Adı	Material/Malzeme

Part List / Parça Listesi

Drawing Number / Resim No	6245	Reference Number / Ref. No	-	Date / Tarih	
1st Discl.Request #/Y.Yn.Tal.No	16-811	Designed by / Tasarlayan	Nursel ORAL	06.12.2016	
Bimed Code / Bimed Kodu	ITSR	Approved by / Onaylayan	Oğuz ELÇİ	-	Undefined Tolerances acc./to/ Belirtilmeyen Toleranslar (DIN 7168-f)
DIMENSIONAL CHART FOR METRIC and PG ROUND HEAD BLIND STOPS METRİK ve PG SERİSİ YUVARLAK BAŞLI KÖR TAPALAR				Material / Malzeme	
				Volume/Hacim	Mass / Ağırlık
				-	-
				Nominal size ranges Anma ölçü aralıkları	Value Değer
				0.5s...s3	±0,05
				3<...s6	±0,05
				6<...s30	±0,10
				30<...s120	±0,15
				120<...s400	±0,20